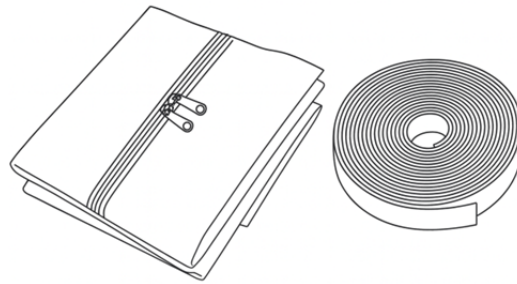


Window Cover Installation Guide

This window cover is simple to install. It works with side-opening and roof windows. The example below shows a side-opening window.

Plastic seal with zipper (400cm long) x 1

Velcro tape (820cm roll) x 1



BEFORE YOU START

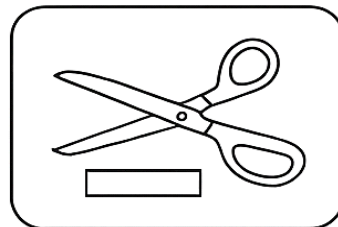
- ✓ Clean and dry the window frame so the tape will stick better.

INSTRUCTIONS

1. PREPARE THE VELCRO TAPE

Measure the length of each side of the window frame and inner edges of the window.

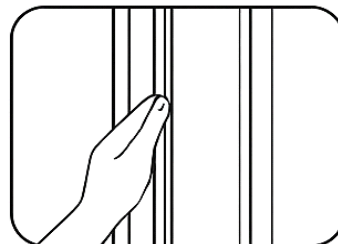
Cut the Velcro tape into strips of the correct length to match each side.



2. APPLY THE STRIPS TO THE FRAME

Peel off the backing.

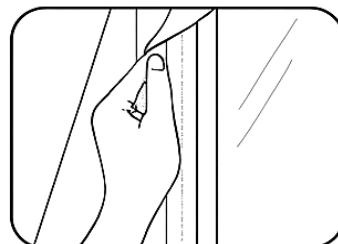
Attach one strip to the left side, one to the top, and one to the bottom of the frame. Repeat the same on the inner edges of the window.



3. FIX THE SEAL

Press the plastic seal firmly onto the tape on the frame and window.

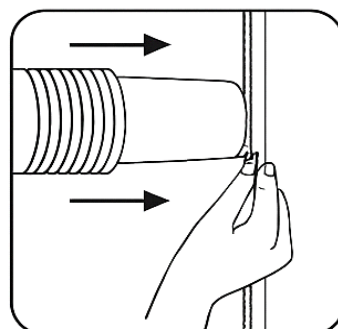
Start at the top, then press along the sides and bottom until secure.



4. INSERT THE HOSE

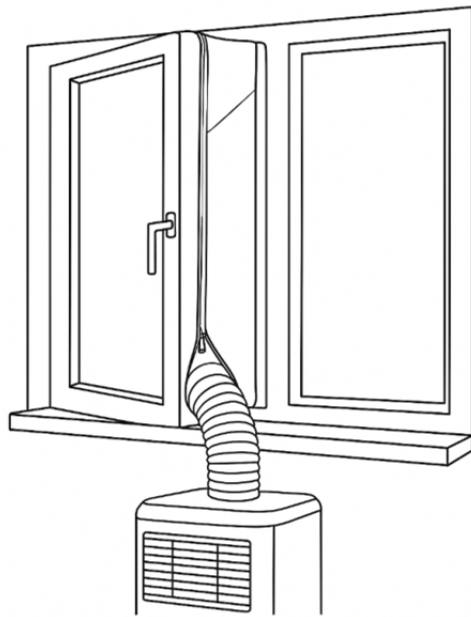
Pass the exhaust hose through the opening in the seal.

Adjust the zipper so the plastic seal fits snugly around the hose.



DONE

Your air conditioner is now ready to use with a properly sealed window.



Note: Always make sure the window remains secure to maintain protection against intruders.