

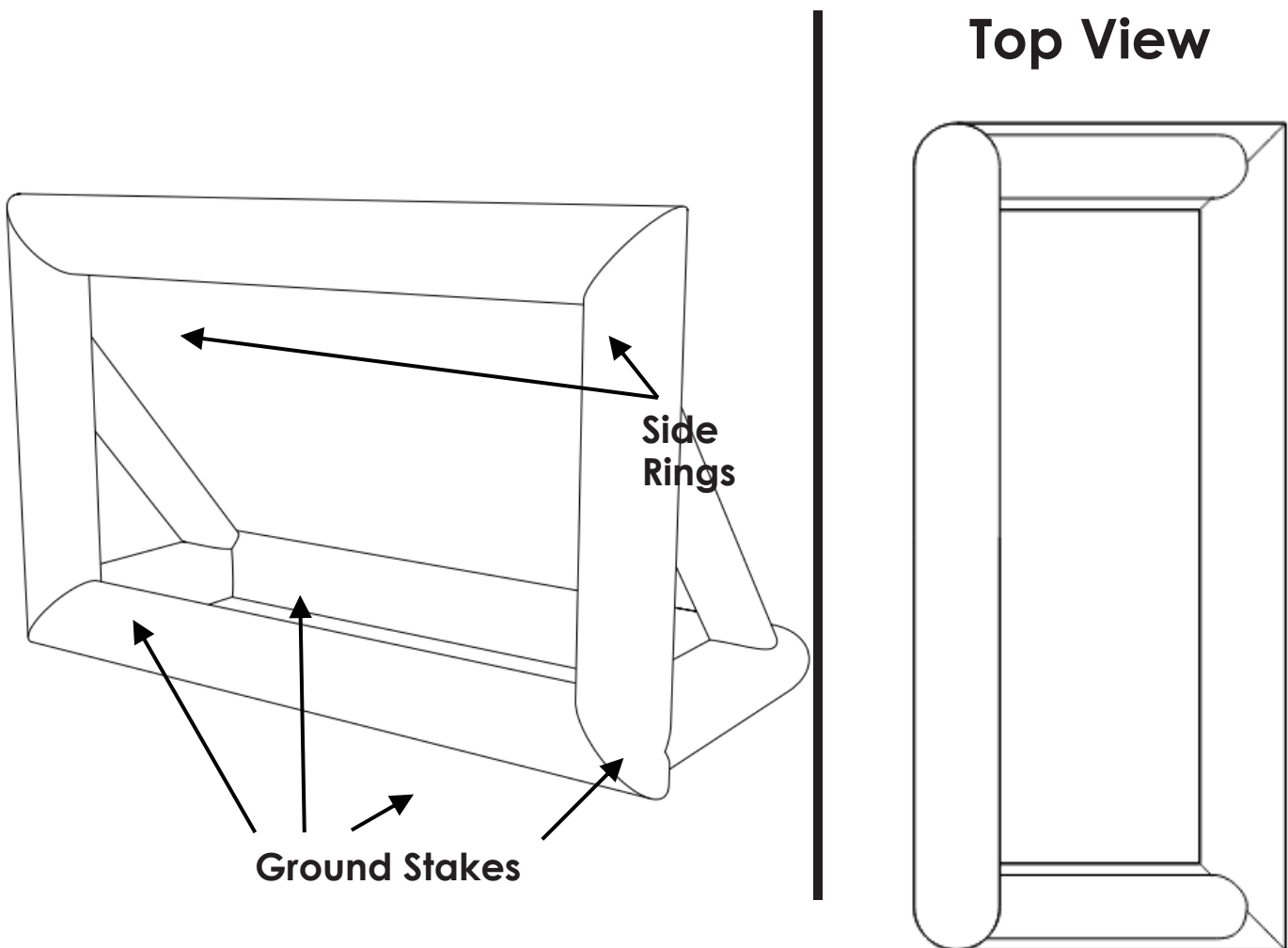
Instructions

SET STEPS

1. Open and spread out the black mega screen frame on ground with clips to hold screen on top side.
2. Open screen and attach it onto clips all around screen.
3. Plug in blower and hold opening off ground so it doesn't suck in dirt or other items.
4. Once full you can go around and adjust screen straps to make screen fit snug. Do not worry about having fold as this special screen material reflects images well even with wrinkles.
5. Stand up screen and use ground stakes to hold bottom of frame to ground using 4 rings at front and back of legs.
6. Attach 2 ropes to each side ring and go out at a 45 degree angle from frame and attach rope to stakes in ground. (Please refer to the top view below)

DISASSEMBLE STEPS

1. Remove stakes and lay backside on ground with screen on top.
2. Remove screen and fold with front side to center so it won't get dirty easily.
3. Unplug motor and roll up frame with motor on inside.
4. Put everything into carry bag to store. DO NOT store in carry bag if wet. Leave open until dry before putting in carry bag to prevent mildew.



Nanzhao Jinyi Inflatables Factory
Add: Floor 2, Aobo Logistics Park, Gaoxin District,
Nanyang, Henan, China
Made in CHina

